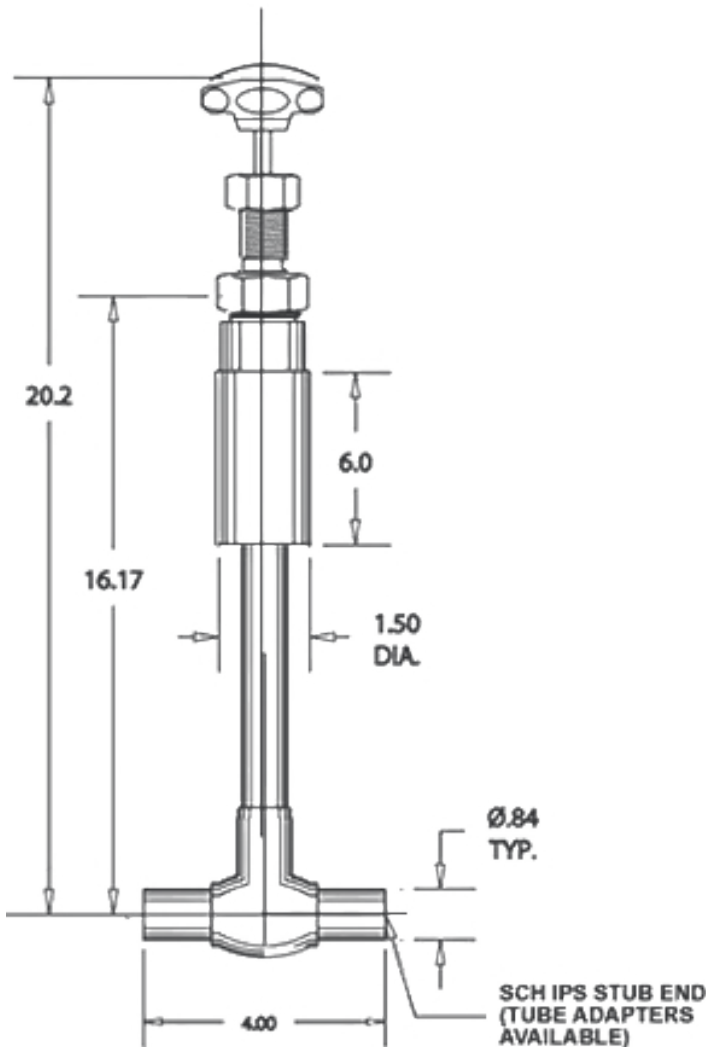


C3000 LIQUID HELIUM VALVE SERIES

Model C3041-M23

- 1/2" IPS LHe Valve
- Cold Box Cuff Or Jacketed
- Manual Operation
- Globe Style Body



FEATURES

- Low Handle Torque for Bubble Tight Shut-off
- Redundant Stem Seal
- Cryogenic Stem Packing
- Brass Bonnet
- Redundant Cryogenic Bonnet Seal
- Bonnet Purge Port (Thermal Relief Location)
- Stainless Steel Body and Stem
- Cold Box Cuff (Full Jacket Available)
- MLI on Jacketed Valves
- Low Thermal Conductivity Stem and Support Tube
- Brass Plug
- Plug To Stem Stabilizer
- KEL-F Seat Seal w/ Locked Thread Insert
- Contoured Flow Plug Available

TECHNICAL DATA

- 300 PSIG MAWP
- 450 PSIG Proof
- Seat Seal Bubble Tight @ 150 PSIG
- Packing Mass Spec Tested @ 1×10^{-5} TORR.
- Leak Rate Below 1×10^{-8} CC GHe/SEC.
- Seat Seal Helium Bubble Tight Tested @ 150 PSIG @ Ambient Temperature
- Heat Leak: 3.5 BTU/HR (1 Watt)
- Cooldown Mass: 0.50 Pounds
- Options:
 - Bonnet Purge Port
 - Full Lower Jacket
 - Pneumatic Actuator
 - JT Flow Plugs

APPLICATIONS

- Vacuum Jacketed Piping
- Cold Boxes
- Helium Transfer Lines
- Helium Liquefiers