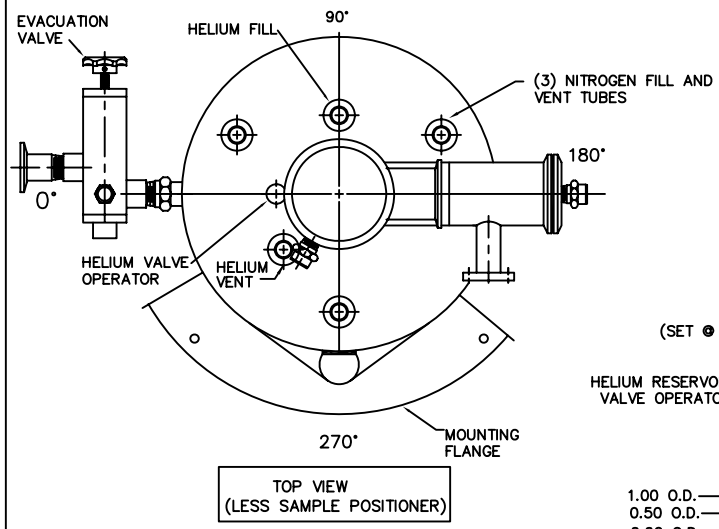
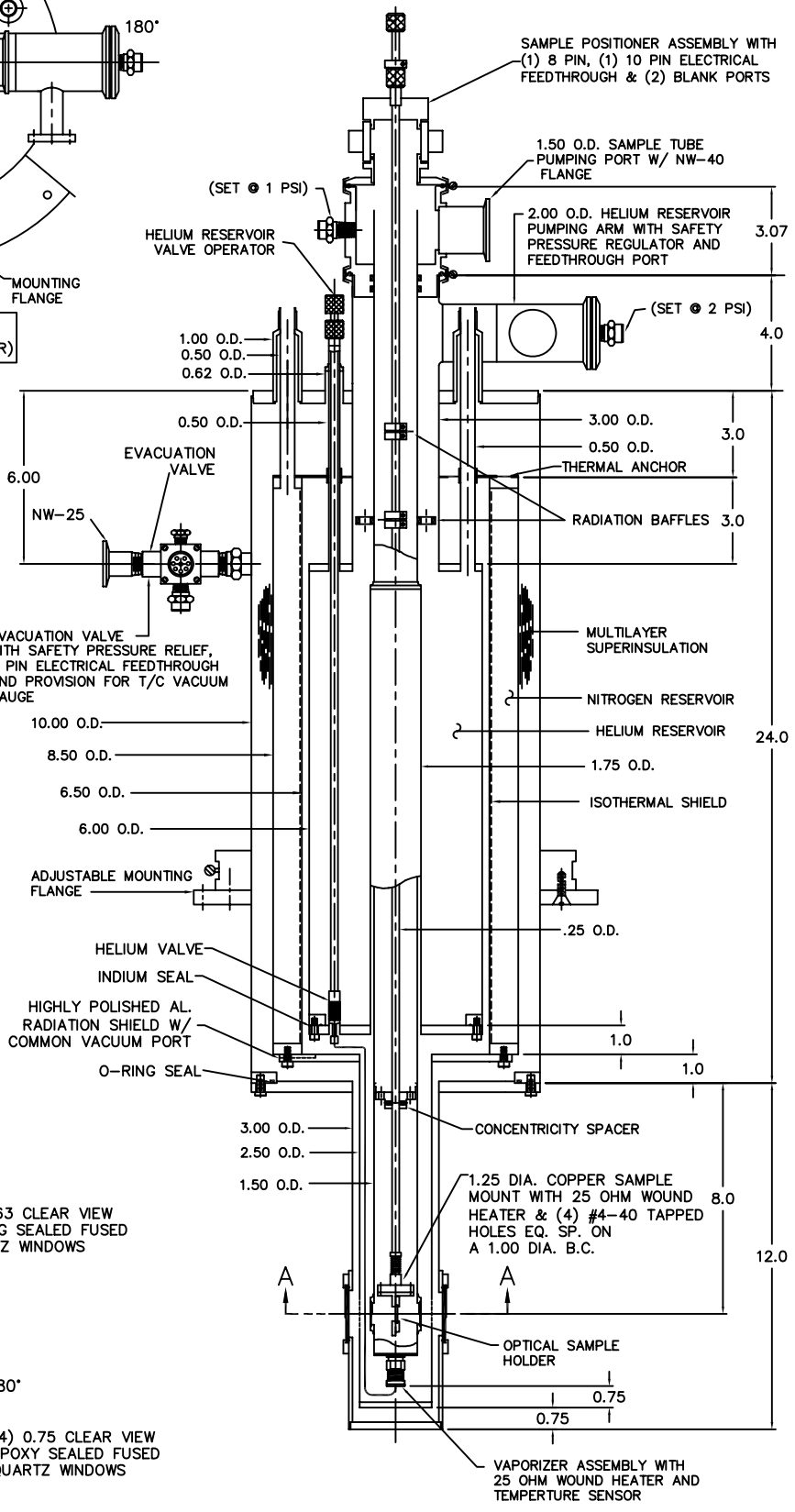


| REVISIONS | | |
|-----------|--------------------|---------|
| LTR | DESCRIPTION | DATE |
| A | CONFIGURATION CHGS | 9/29/04 |



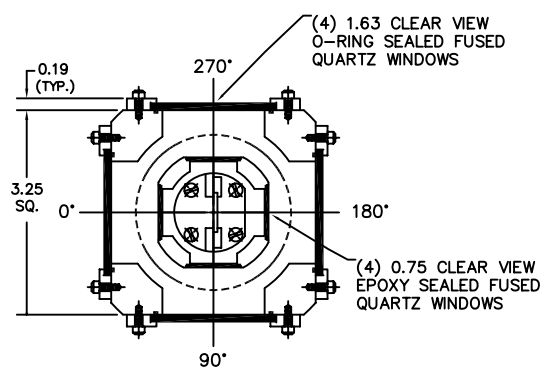
TOP VIEW
(LESS SAMPLE POSITIONER)



EVACUATION VALVE WITH SAFETY PRESSURE RELIEF, 8 PIN ELECTRICAL FEEDTHROUGH AND PROVISION FOR T/C VACUUM GAUGE

ADJUSTABLE MOUNTING FLANGE

HELIUM VALVE
INDIUM SEAL
HIGHLY POLISHED AL. RADIATION SHIELD W/ COMMON VACUUM PORT
O-RING SEAL



VIEW A-A
(FULL SCALE)

NOTE: ALL DIMENSIONS ARE IN INCHES

| | | | | | | | | |
|---|--|--|---------------------|-------------|------------|------------------------|-------------|------|
| CONFIDENTIAL AND PROPRIETARY | | | APPROVALS | | | JANIS RESEARCH CO. | | |
| | | | DEPT. | SIG. | DATE | WILMINGTON, MA. | | |
| THIS DRAWING AND/OR INFORMATION CONTAINED HEREIN IS THE SOLE PROPERTY OF THE JANIS RESEARCH COMPANY AND IS NOT TO BE RELEASED OR DIVULGED TO THIRD PARTIES WITHOUT THE EXPRESSED, WRITTEN CONSENT OF THE JANIS RESEARCH COMPANY, INC. | | | DRW. BY | H.Z. | 09/01/04 | TITLE | | |
| | | | ENG. | | | MODEL SVT-200 OPTION 3 | | |
| | | | Q.C. | | | 10 CNDT CRYOSTAT | | |
| | | | RELEASED TO MFG. BY | | | SIZE | DRAWING NO. | REV. |
| CUST. APPROVAL | | | D | D09-01-04D | A | | | |
| | | | P. N. | SCALE: HALF | SHT 1 OF 1 | | | |