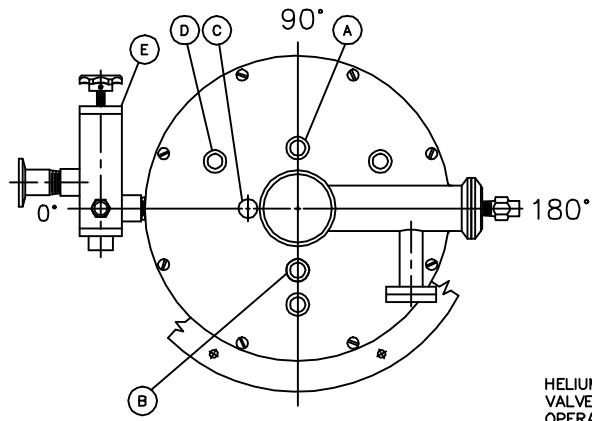
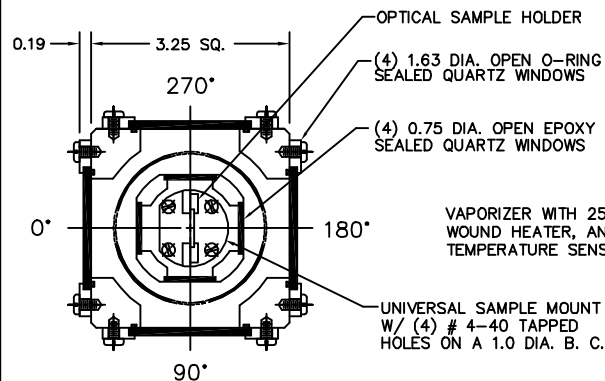
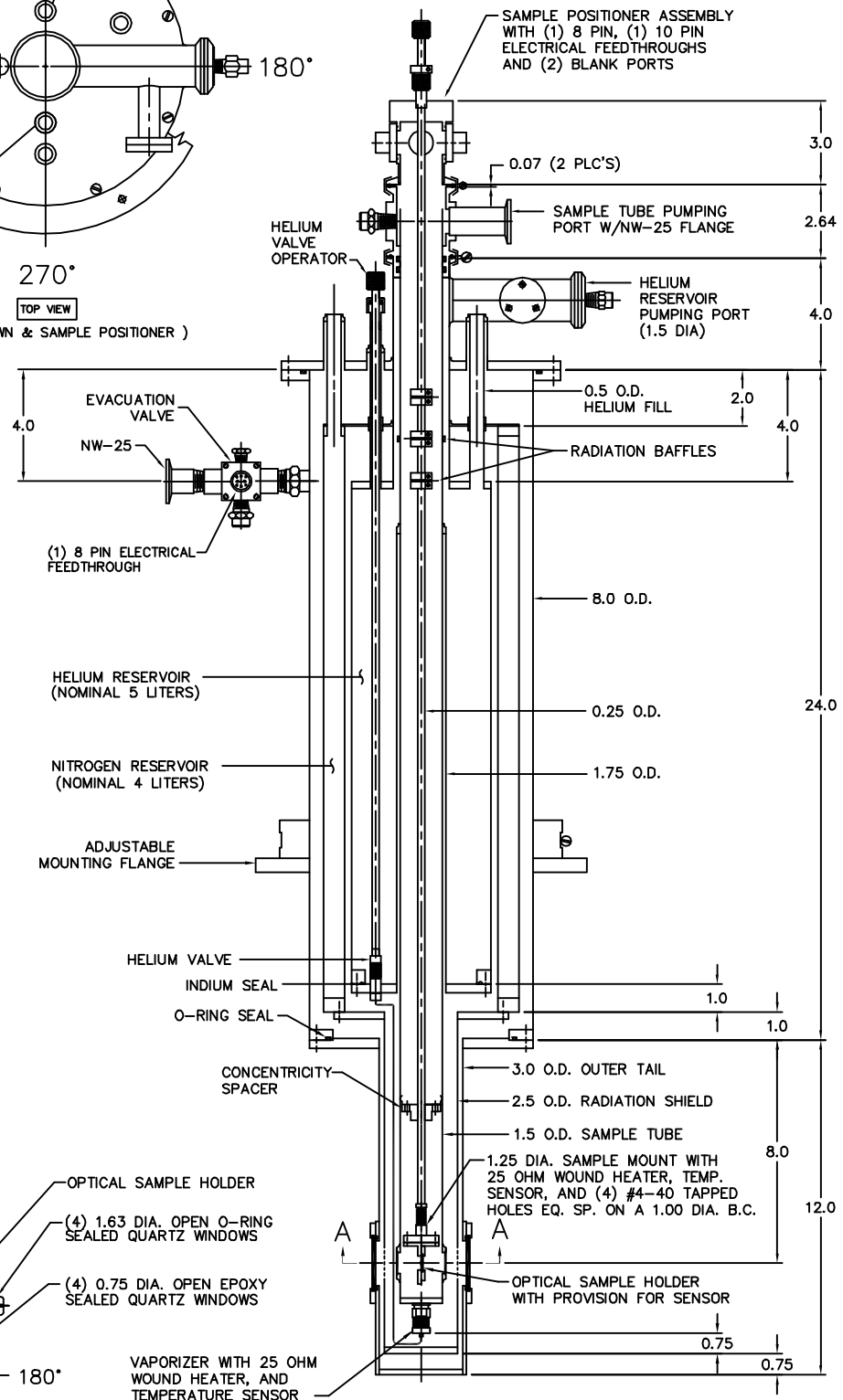


REVISIONS		
LTR	DESCRIPTION	APP'D. DATE



TOP VIEW
(LESS CROWN & SAMPLE POSITIONER)

A	HELIUM FILL
B	HELIUM VENT
C	ACCESS PORT
D	(3) NITROGEN FILL AND VENT TUBES
E	EVACUATION VALVE WITH SAFETY PRESSURE RELIEF AND PROVISION FOR T/C VACUUM GAUGE



VIEW A-A
(FULL SCALE)

NOTE: ALL DIMENSIONS ARE IN INCHES

CONFIDENTIAL AND PROPRIETARY
THIS DRAWING AND/OR INFORMATION CONTAINED HEREIN IS THE SOLE PROPERTY OF THE JANIS RESEARCH COMPANY AND IS NOT TO BE RELEASED OR DIVULGED TO THIRD PARTIES WITHOUT THE EXPRESSED, WRITTEN CONSENT OF THE JANIS RESEARCH COMPANY, INC.

APPROVALS			JANIS RESEARCH CO.	
DEPT.	SIG.	DATE	WILMINGTON, MA.	
DWN BY	Y. L.	11/18/99	TITLE	
CHK BY			MODEL SVT-300 (BCNDT 5 LITER)	
ENG.			OPTION 3 OPTICAL CRYOSTAT	
REL. TO MPD			SIZE	DRAWING NO.
CUST. APPROVAL			D	D11-18-99A
BY			P. N.	SCALE: HALF
				SHT 1 OF 1