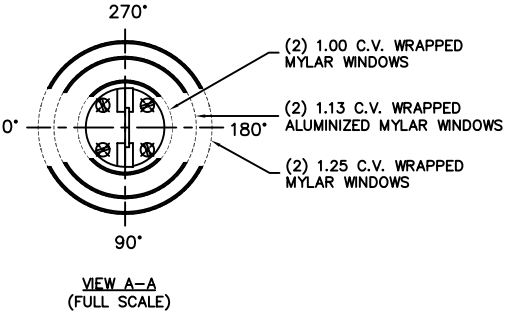
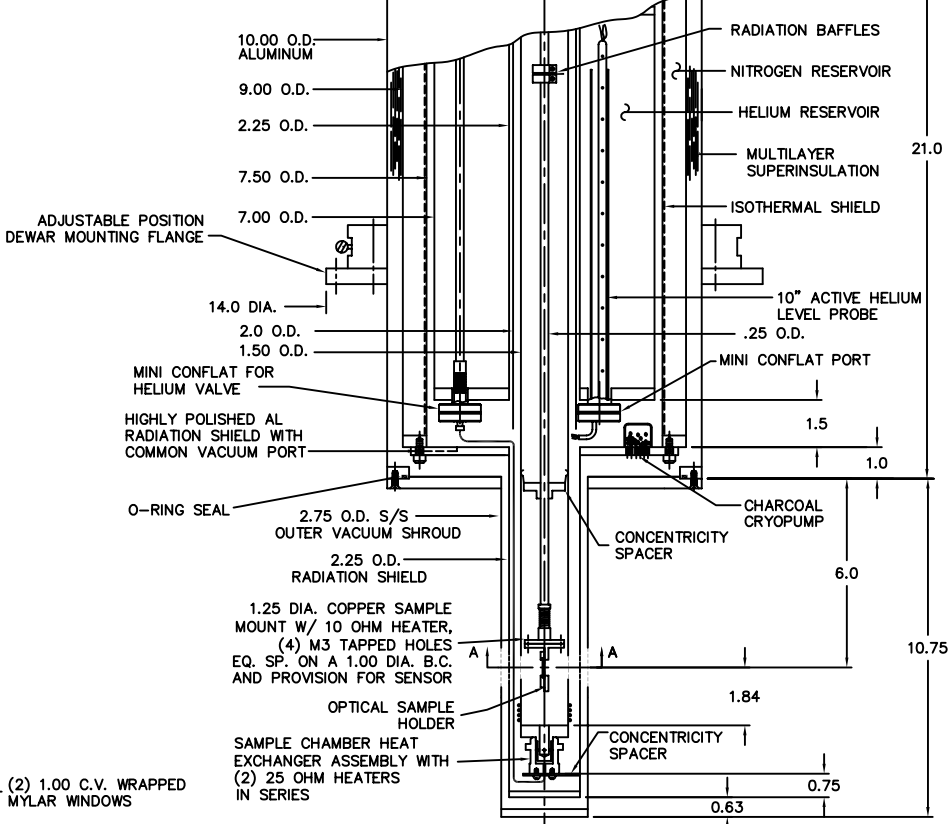
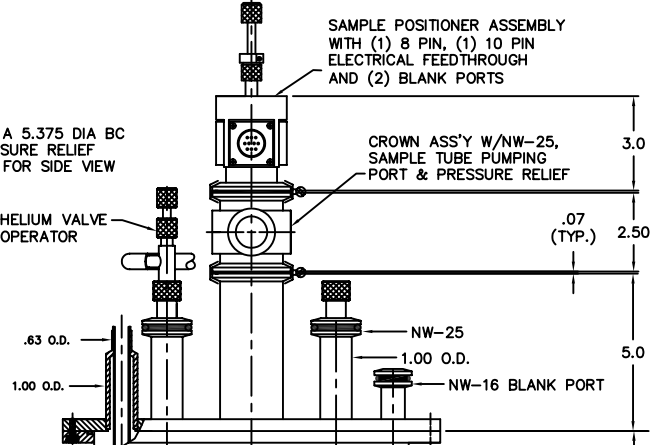
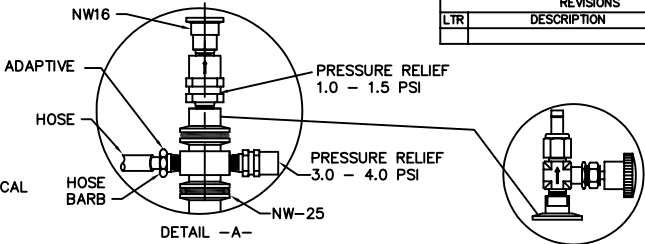
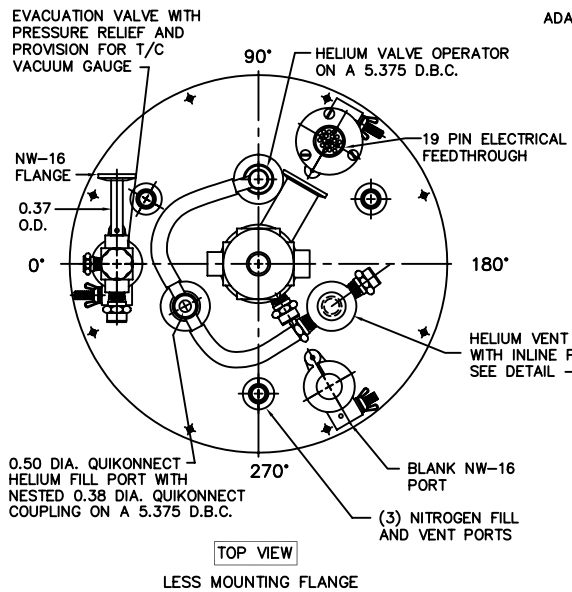


REVISIONS		
LTR	DESCRIPTION	APP'D. DATE



NOTE: ALL DIMENSIONS ARE IN INCHES

CONFIDENTIAL AND PROPRIETARY THIS DRAWING AND/OR INFORMATION CONTAINED HEREIN IS THE SOLE PROPERTY OF THE JANIS RESEARCH COMPANY AND IS NOT TO BE RELEASED OR DIVULGED TO THIRD PARTIES WITHOUT THE EXPRESSED, WRITTEN CONSENT OF THE JANIS RESEARCH COMPANY, INC.	APPROVALS		JANIS RESEARCH CO. WILMINGTON, MA.	
	DEPT.   SIG.   DATE	TITLE		
	CHK BY   AG   5/16/08	MODEL SVT-400T CRYOSTAT FOR MOSSBAUER SPECTROSCOPY		
	ENG.   G.C.	SIZE	DRAWING NO.	REV.
RELEASED TO MFG. BY	D	D05-16-08B		
CUST. APPROVAL BY	P. N.	SCALE: HALF	SHT 1 OF 1	