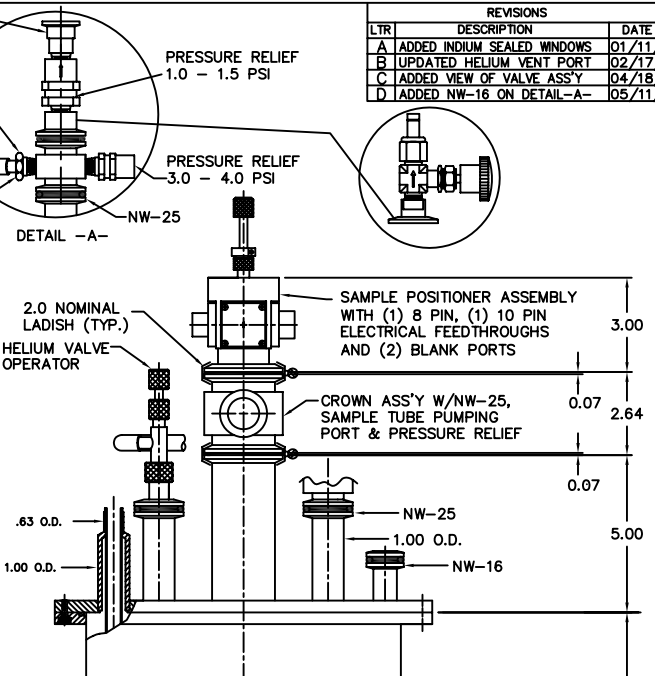
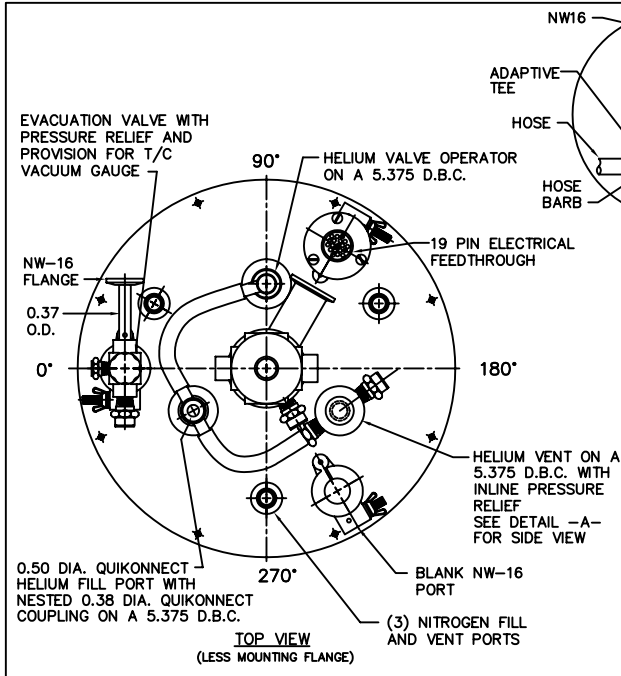


REVISIONS		
LTR	DESCRIPTION	DATE
A	ADDED INDIUM SEALED WINDOWS	01/11/06
B	UPDATED HELIUM VENT PORT	02/17/06
C	ADDED VIEW OF VALVE ASS'Y	04/18/07
D	ADDED NW-16 ON DETAIL-A-	05/11/07



WIRING DIAGRAM

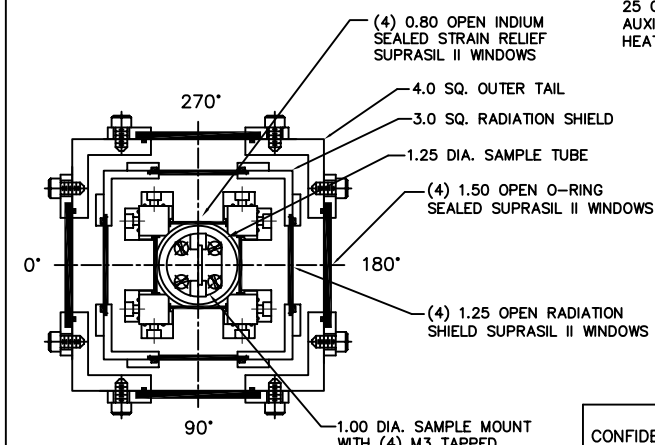
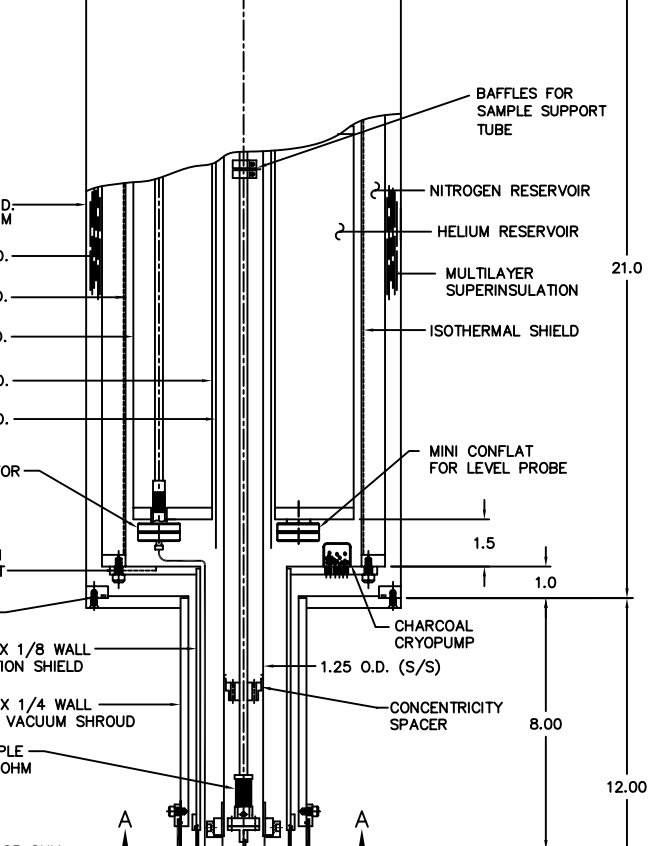
19 PIN
 LOCATION: TOP PLATE
 PIN A - POS. CURRENT (I+) SILICON DIODE THERMOMETER
 PIN B - POS. VOLTAGE (V+) ON HEAT EXCHANGER/VAPORIZER (CONTROL SENSOR)
 PIN C - NEG. CURRENT (I-)
 PIN D - NEG. VOLTAGE (V-)
 PIN E -
 PIN F -
 PIN G -
 PIN H -

PIN J - CAPILLARY HEATER
 PIN K -
 PIN L -
 PIN M -
 PIN N -
 PIN P -
 PIN R -
 PIN S -
 PIN T -

PIN U - 25 OHM VAPORIZER AND AUXILIARY HEATERS WIRING IN SERIES FOR A TOTAL
 PIN V - OF 50 OHM RESISTANCE

8 PIN
 LOCATION: SAMPLE POSITIONER

PIN A -
 PIN B -
 PIN C -
 PIN D -
 PIN E -
 PIN F -
 PIN G - 25 OHM HEATER ON SAMPLE MOUNT
 PIN H -



NOTE: ALL DIMENSIONS ARE IN INCHES

CONFIDENTIAL AND PROPRIETARY THIS DRAWING AND/OR INFORMATION CONTAINED HEREIN IS THE SOLE PROPERTY OF THE JANIS RESEARCH COMPANY AND IS NOT TO BE RELEASED OR DIVULGED TO THIRD PARTIES WITHOUT THE EXPRESSED, WRITTEN CONSENT OF THE JANIS RESEARCH COMPANY, INC.	APPROVALS DEPT. I. SIG. DATE DWG. BY Y.M. 02/23/05 ENG. G.C. G.C. RELEASED TO MFG. BY CUST. APPROVAL BY		JANIS RESEARCH CO. WILMINGTON, MA. TITLE MODEL SVT-400 OPTICAL CRYOSTAT	
	SIZE D P. N.	DRAWING NO. D02-23-05A SCALE: HALF	REV. D SHT 1 OF 1	