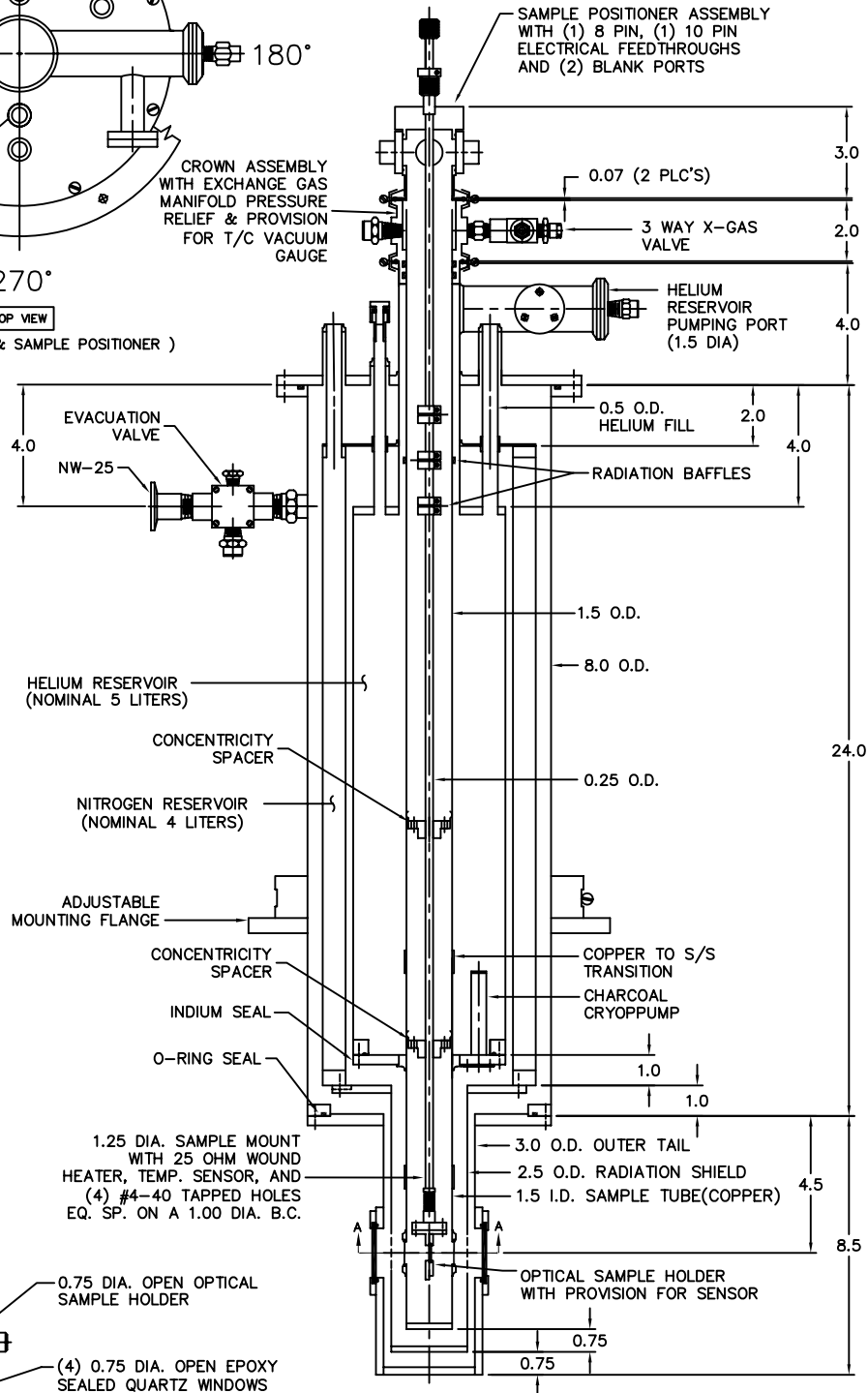
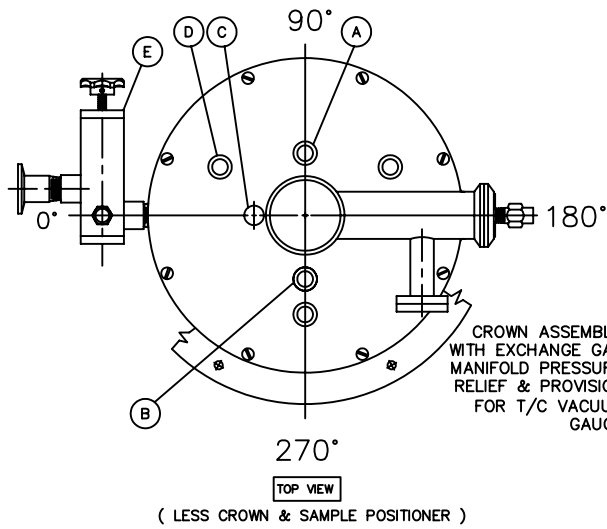
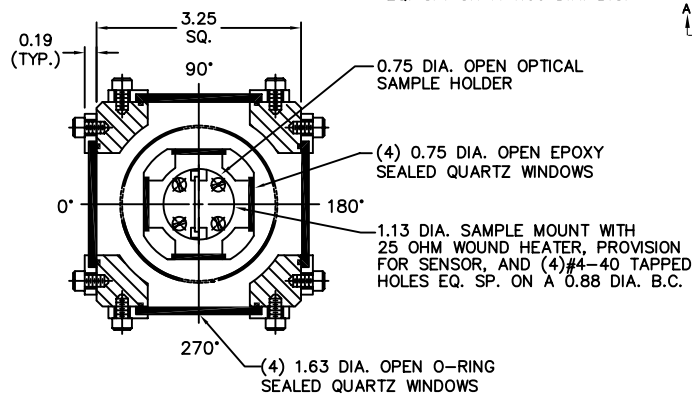


REVISIONS		
LTR	DESCRIPTION	DATE



A	HELIUM FILL
B	HELIUM VENT
C	ACCESS PORT
D	(3) NITROGEN FILL AND VENT TUBES
E	EVACUATION VALVE WITH SAFETY PRESSURE RELIEF AND PROVISION FOR T/C VACUUM GAUGE



VIEW A-A
(FULL SCALE)

NOTE: ALL DIMENSIONS ARE IN INCHES

CONFIDENTIAL AND PROPRIETARY

THIS DRAWING AND/OR INFORMATION CONTAINED HEREIN IS THE SOLE PROPERTY OF THE JANIS RESEARCH COMPANY AND IS NOT TO BE RELEASED OR DIVULGED TO THIRD PARTIES WITHOUT THE EXPRESSED, WRITTEN CONSENT OF THE JANIS RESEARCH COMPANY, INC.

APPROVALS			JANIS RESEARCH CO.	
DEPT.	SIG.	DATE	WILMINGTON, MA.	
CHK BY	H.Z.	10/16/08	TITLE	
ENG.			MODEL VT-200	
G.C.			OPTICAL CRYOSTAT	
RELEASED TO MFG. BY			SIZE	DRAWING NO.
CUST. APPROVAL BY			D	D10-16-08D
			P. N.	SCALE: HALF
				SHT 1 OF 1